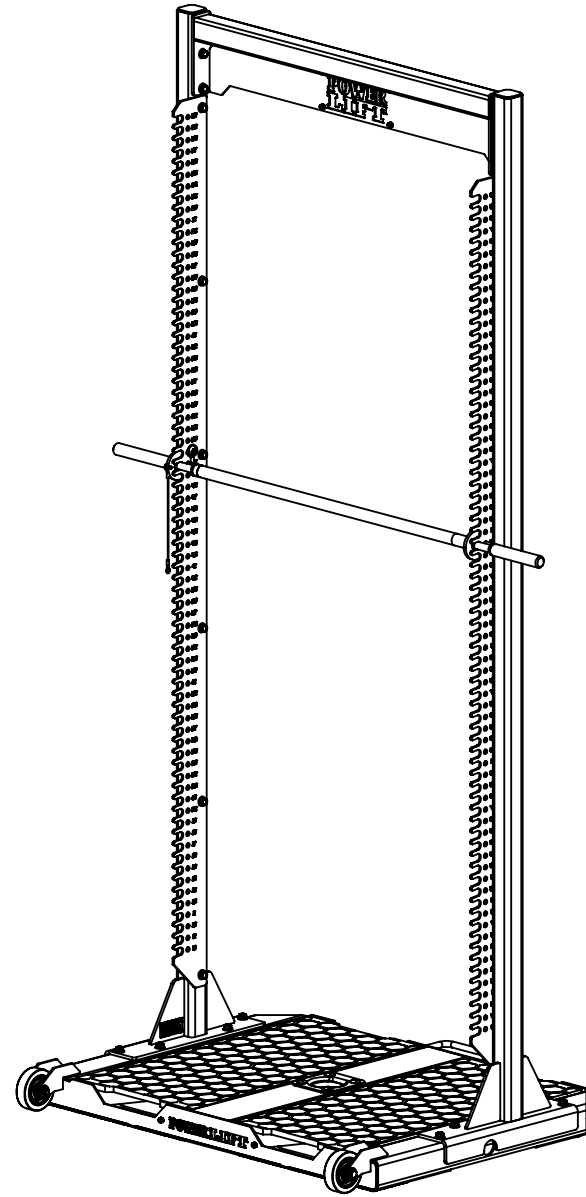
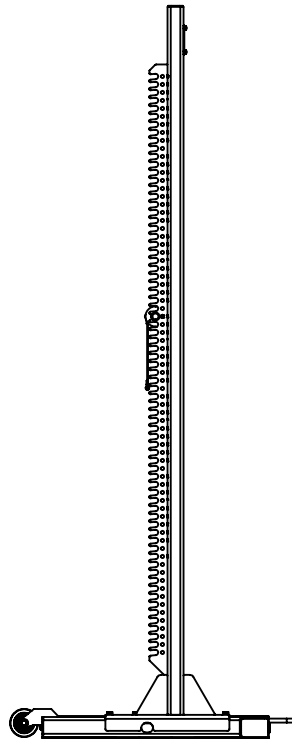
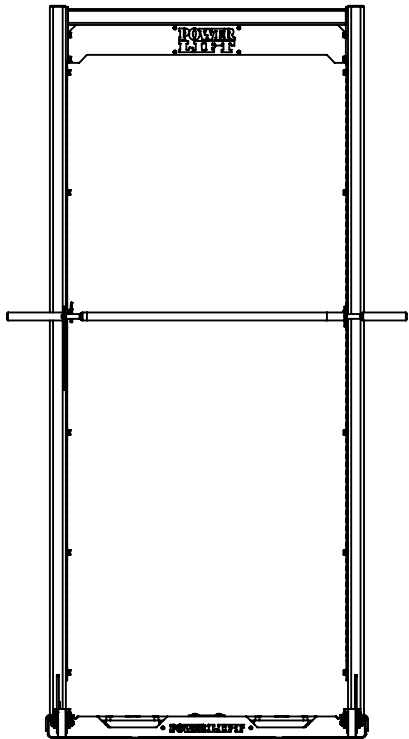
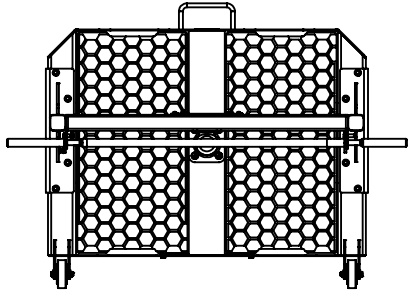


THE INFORMATION CONTAINED IN THIS DRAWING IS THE SOLE PROPERTY OF POWER LIFT ANY REPRODUCTION IN PART OR WHOLE WITHOUT THE WRITTEN PERMISSION OF POWER LIFT IS PROHIBITED



**NOTE: FORCE PLATES NOT INCLUDED**

UNLESS OTHERWISE SPECIFIED  
DIMENSIONS ARE IN INCHES  
TOLERANCES ARE:  
FRACTIONS DECIMALS ANGLES  
±1/16" .XX=±.02 ±1°  
.XXX=±.005

REFERENCE CODE

**MTP-VALD-S**

**POWER LIFT®**

PART NUMBER

**28650A**

PART NAME

**ASSY, MID THIGH PULL, SQUAT, VALD**

CAD GENERATED DRAWING  
DO NOT MANUALLY UPDATE.

SHEET 3 OF 3

REV. A

SCALE 1:24

SIZE A